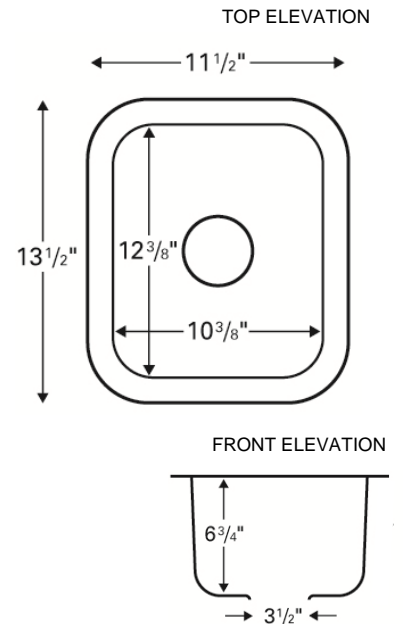


Features and Specifications:

- Bar/prep sink.
- 11-1/2" x 13-1/2" x 6-3/4".
- Manufactured from Type 304 stainless steel.
- 18 Gauge.
- Underside affixed with rubber pads for sound absorption.
- Sink surface has a brushed soft satin finish.
- Can only be installed in new countertops, not existing countertops with existing sink cutout.
- Undermount installation required. May not be top mounted.
- This sink may be undermounted to all solid surface and stone products. 1/8" to 1/4" overhang recommended. Cannot be undermounted to laminate.
- Supplied with mounting clips and template.
- Digital templates for CNC machines are available at www.karran.com.
- Strainer basket shown not included with sink.



ALL DIMENSIONS ACCURATE TO 1/4"



U-5050 shown undermounted in granite.



U-2321 shown undermounted in quartz.

