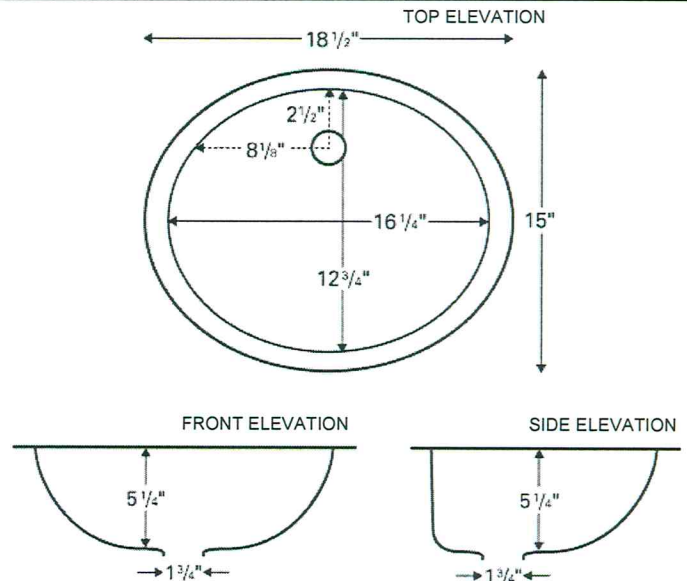


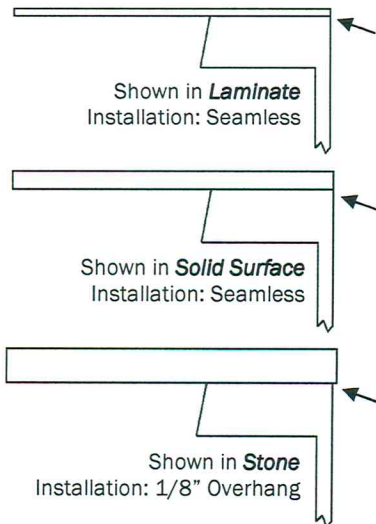
### Features and Specifications:

- Vanity sink with integrated overflow
- Manufactured from an ultra high density, 100% pure acrylic resin
- Manufactured by thermoforming using heat and vacuum
- Underside reinforced with an FRP backing
- 1-1/4" x 3/4" machined resin matrix rim
- Can only be installed in new countertops, not existing countertops with existing sink cutout
- Undermount installation required. May not be top mounted
- This sink may be bonded seamlessly in solid surface and laminate
- This sink may be undermounted to all stone products. 1/8" overhang recommended
- Heat, scratch and chip resistant
- Stain and thermal shock proof
- Completely non-porous
- Available colors: Bisque and White
- Supplied without mounting adhesive, clips or template
- Digital templates for CNC machines available at [www.karran.com](http://www.karran.com)
- Strainer basket shown not included with sink

ADA Compliant when installed per Americans with Disabilities Act Accessibility Guidelines, Section 606 Sinks.



ALL DIMENSIONS ACCURATE TO 1/4"



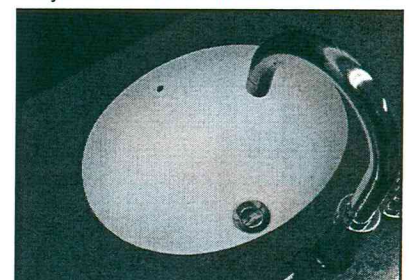
**Compliance Certifications:**  
Meets or exceeds: GREENGUARD  
ANSI Z124.6  
CAN/CSA B45



Underside of York 10



Acrylic Series York 10 Installed in Laminate



Karran, your source for seamless integration